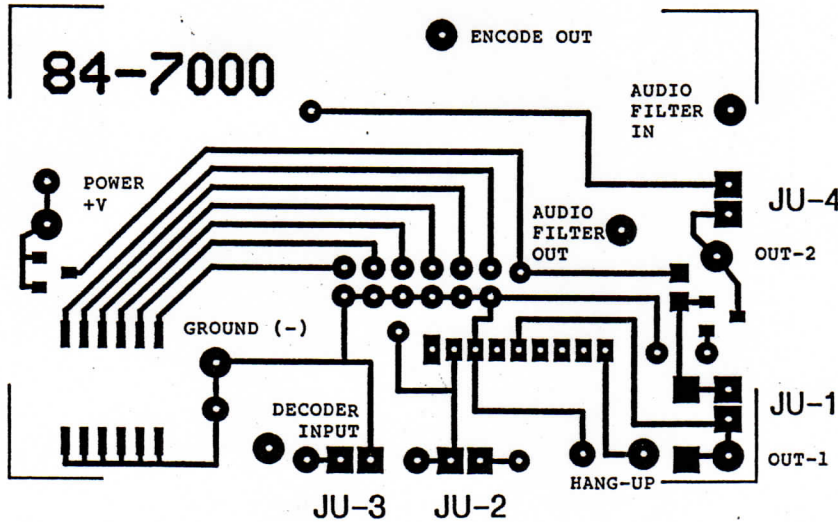
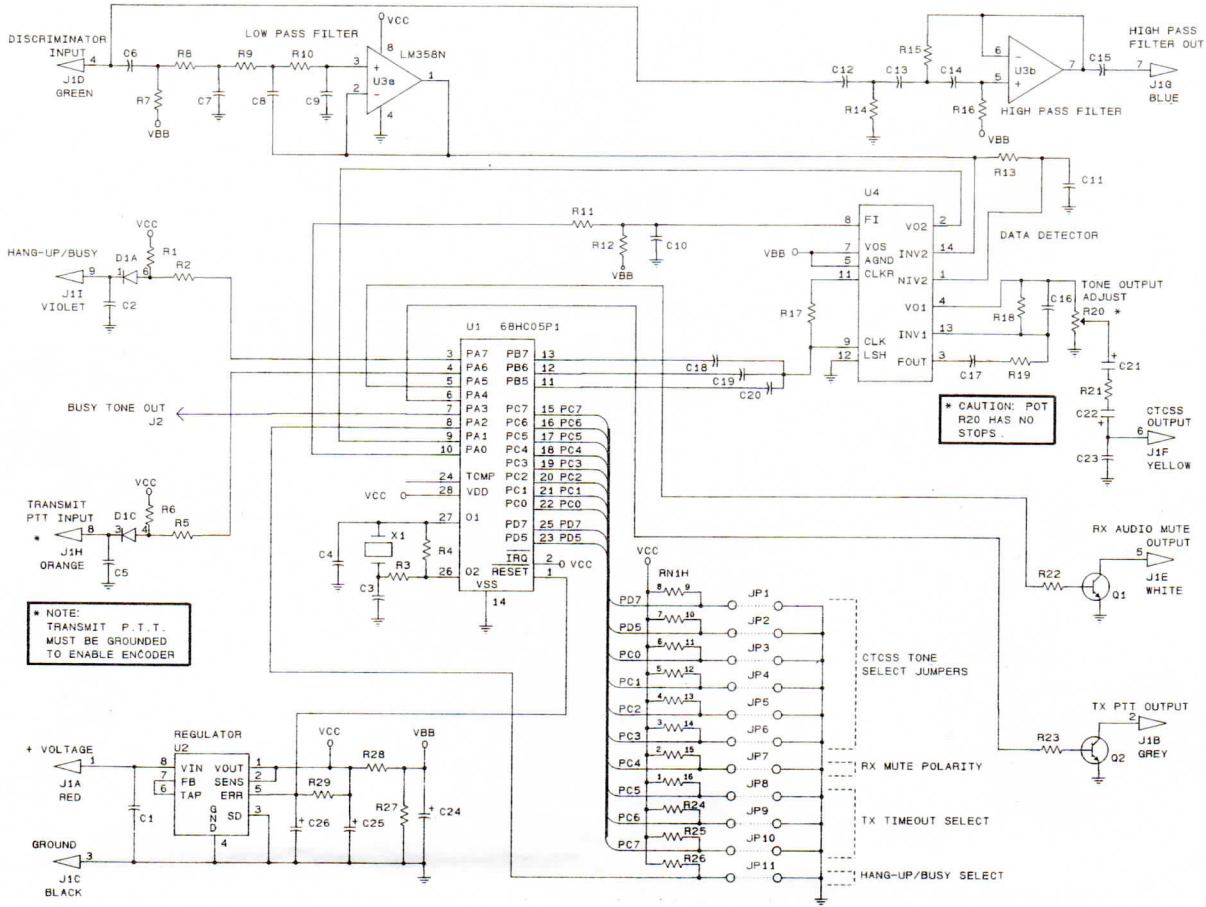


TS-64 INSTRUCTION SHEET (TSU-64DS Regular ver.)



84-7000 JUMPER PLACEMENT:

- JU-1 (In)
- JU-2 (Out)
- JU-3 (In)