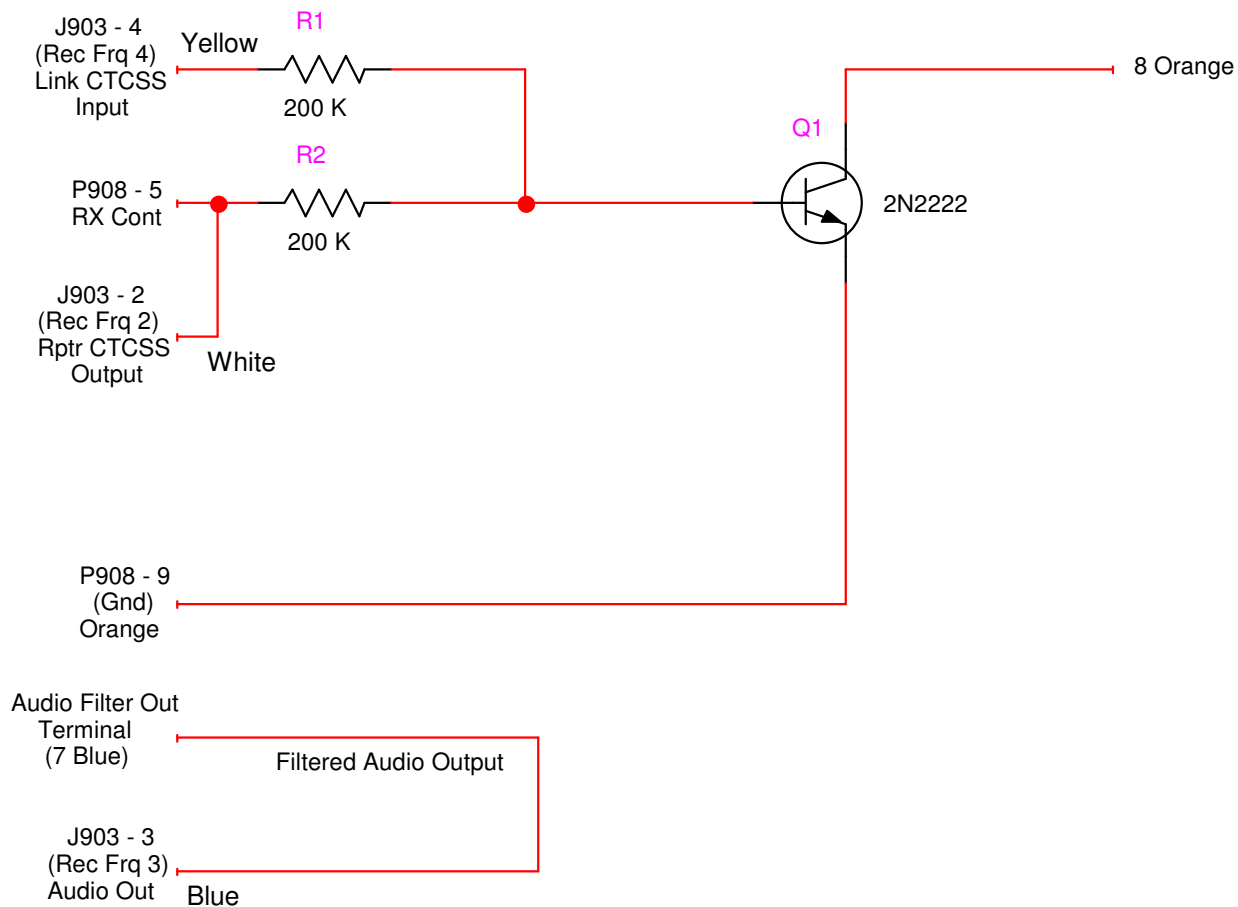


# TS-64 Modification for GE Mastr II Repeater



Note: Jumper JP 7 on TS-64 left open to  
Give a HIGH output for a detected  
CTCSS tone

Connections to J903 made with  
wire jumpers with connector sockets  
that plug into pins that extend  
through the system board connector